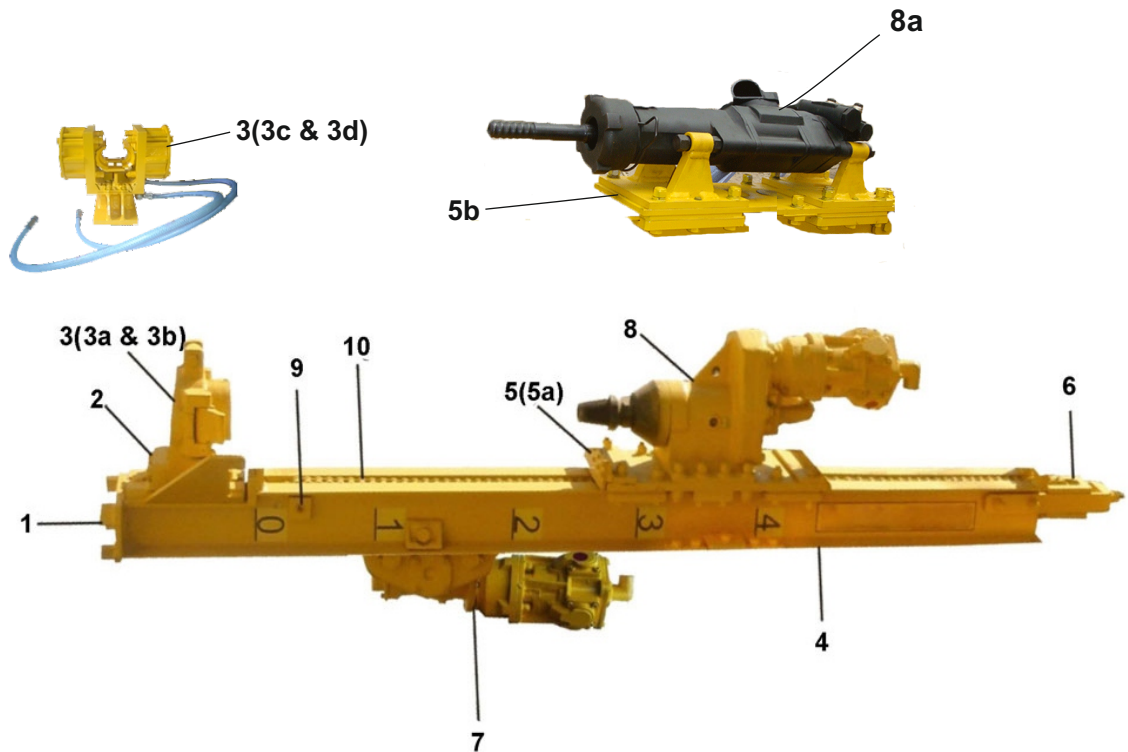


5. Chain Feed - DTH / TH



No.	Description	Ref. Part No	Qty
-	Chain Feed Complete 2.2mtr	VK-CF2.2MTR	
-	Chain Feed Complete 3mtr	VK-CF3MTR	
-	Chain Feed Complete 5mtr	VK-CF5MTR	
1	- Spike	M100175	1
2	- Drill Tube Support Attachment with Parts		1
-	- Drill Steel Support - Select Option		1
3	-- Drill Steel Support - 102mm - Manual for DTH	3162111085	
3a	-- Drill Steel Support 38mm - Manual for TH	9718355680	
3b	-- Drill Steel Support 32mm - Manual for TH	3162111084	
3c	-- Drill Steel Support 38mm - Pneumatic Version for TH	VK PDSX38	
3d	-- Drill Steel Support 32mm - Pneumatic Version for TH	VK PDSX32	
-	- Feed Beam - Select Option		1
4a	-- Feed Beam - 2.2 Mtrs.		
4b	-- Feed Beam - 3.0 Mtrs.		
4c	-- Feed Beam - 5.0 Mtrs.		
-	- Cradle Complete - Select Option		1
5a	-- Cradle Complete for BBR - 4	3161143180	
5b	-- Cradle Complete Modified for BBC-120F	3162117580	
6	- Chain Tensioner, Complete	3162047081	1
7	- Feed Unit -	9718425978	1
-	Worm Gear With Planetary & Motor, Complete		
-	- Select Option		1
8	-- Rotation Unit Complete (BBR 4)	8032010103	
8a	-- Pneumatic Drifter	VK-12	
9	- Jockey Pin With Parts		1
10	- Chain		1

Note : Reference Part Number Starting With 'M' - is Modified.