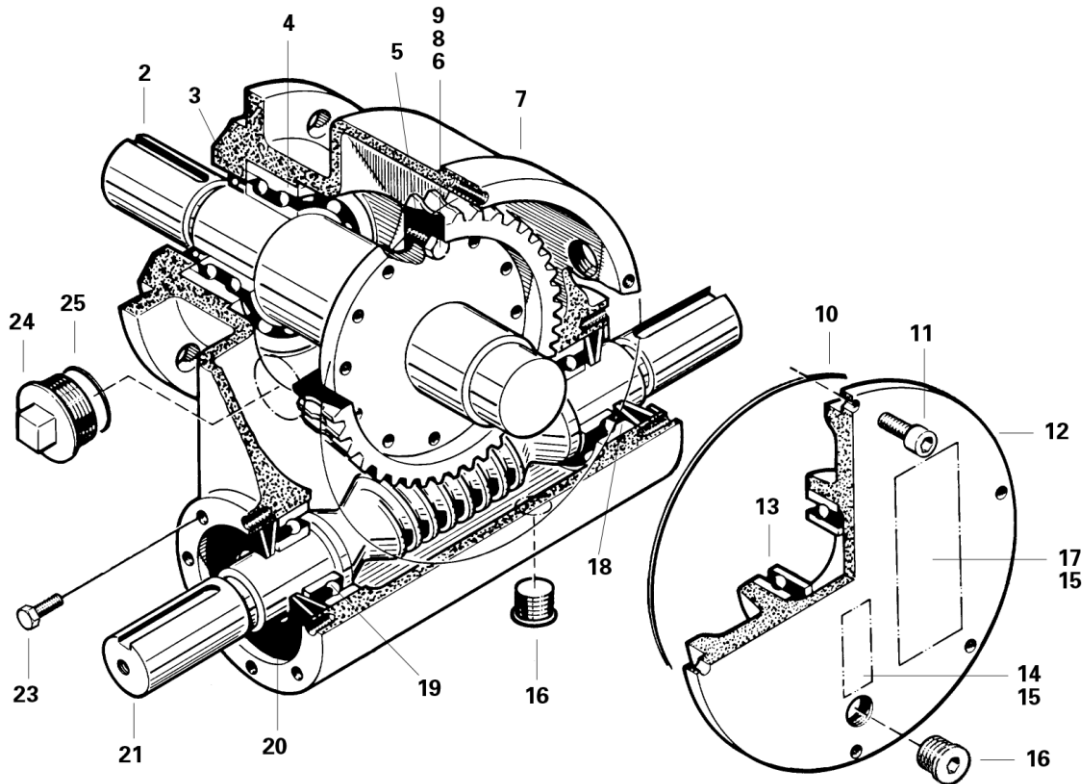


8. Compl. Gear



No.	Description	Designation	Ref. Part No.	QTY
1-25	Compl. gear	278190/278192/ 271090	0289985000	1
1				
2	Secondary shaft New Type	344534	0383740000	1
3	Sealing ring		3000140211	1
4	Ball bearing		3000115212	1
5	Worm wheel	344535-104/371057	9018663104	1
6	Screw	M6S 10x45 -8.8-fz	3000071500	12
7	Gear housing		0189990000	1
8	Lock nut	L-K M6M 10	3000438120	12
9	Washer	TBRB 10,5 x 24	3000093173	12
10	O-ring		3000136828	1
11	Screw	MC6S 10x16-8.8-fz	3000147489	6
12	Cover		0389988000	1
13	Ball bearing		3000099210	1
14	Sign		0481551000	1
15	Rivet		3000506102	6
16	Plug		3001221204	3
17	Sign		9024021000	1
18	Ball bearing		3000114309	1
19	Ball bearing		3000105309	1
20	Cup spring		0472407000	4
21	Worm screw	271050	0244533104	1
22				
23	Screw	M6S 10x25-8.8-fz	3000071493	16
24	Inspection plug		3000858151	2
25	O-ring		3000136297	2