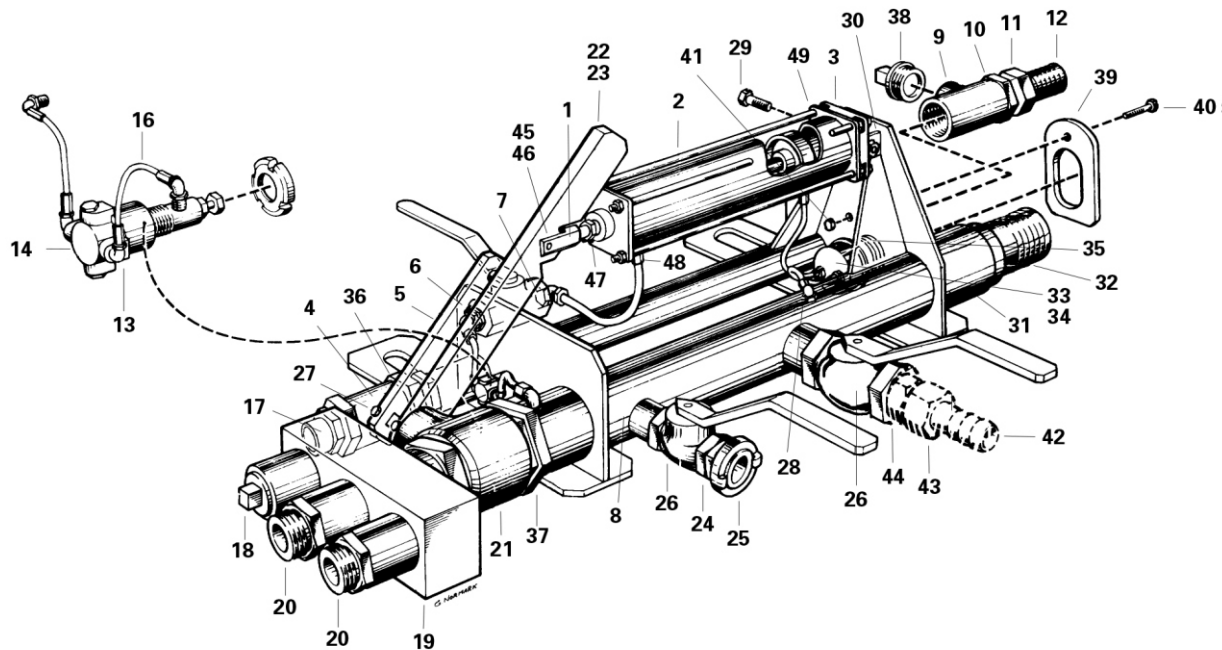
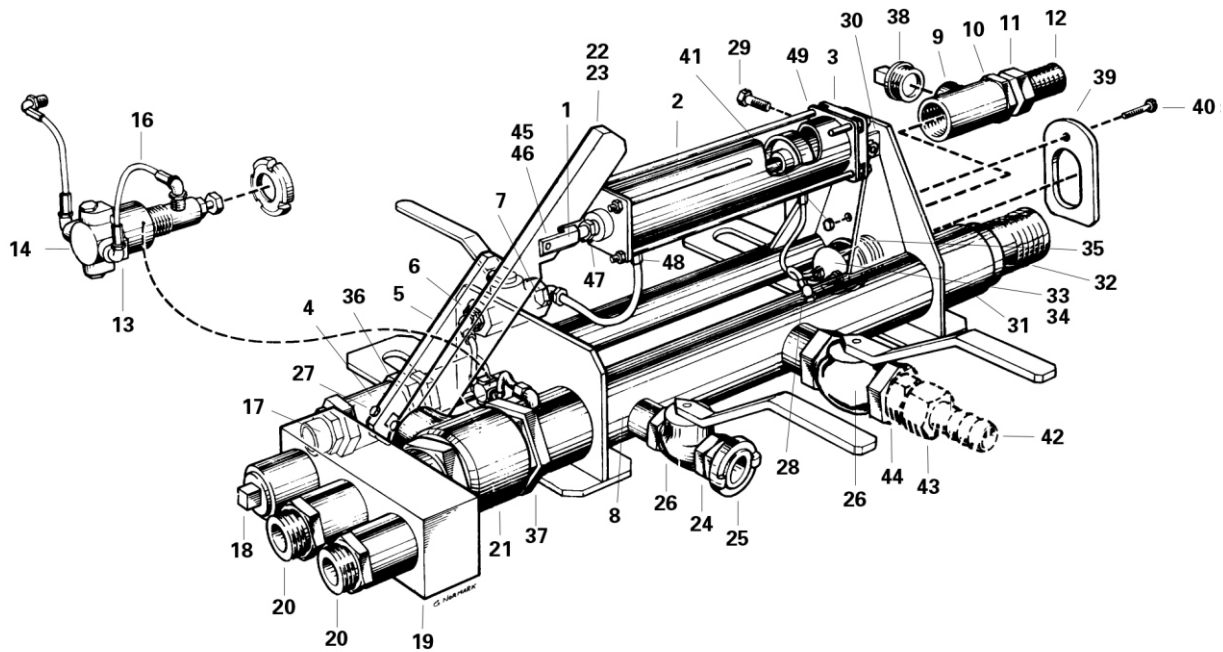


18. Compl. Central



No.	Description	Designation	Ref. Part No.	QTY
1 – 49	Compl. central	LVL	0180696000	1
1	Piston rod coupling		9022608000	1
2	Double acting cylinder		3000965128	1
3	Bracket		9022609000	1
4	Cock		3001027501	1
5	Handle		0480713000	1
6	Bushing		3000840304	2
7	Air cock		3001027211	1
8	Pipe central		0280698000	1
9	T-tube		3000837516	1
10	Hexagon nipple		0415998000	1
11	Nut		0415997000	1
12	Hose nipple		0416002000	1
13	Angular coupling		3002017085	4
14	Pressure regulator		0481740000	1
15				
16	Superpolyamid pipes		3001042101	0,8 m
17	Hexagon nipple		3001527201	1
18	Pipe plug		3000840516	1
19	Pipe		0480707000	1
20	Hexagon nipple		0415998000	2
21	Ball valve		3001027205	1
22	Handle		9090616000	1
23	Screw	M6S 6x50-8.8-fz	3000071380	1
24	Bushing		3000840325	1
25	Toothed coupling		3000934103	1
26	Valve		3001022107	2
27	Screw	M6S 6x40	3000071378	1
28	Angular coupling		3002017085	2
29	Screw	M6S 12x65	3000071545	1
30	Lock nut	L-K M6M12	3000438122	1
31	Sleeve		3000837619	1
32	Hose nipple		0476046000	1

18. Compl. Central



No.	Description	Designation	Ref. Part No.	QTY
33	Coupling		3002017005	2
34	Cover		0480714000	1
35	Hexagon nipple		0415998000	1
36	Pipe nut		3000837816	1
37	Pipe nut		3000837819	1
38	Pipe plug		3000840516	1
39	Lock washer		0484945000	1
40	Screw	M6S 6x20	3000071370	1
41	Lock nut	L-K M6M6	3000438116	2
42	Hose nipple		3000969177	1
43	Nut		3000970335	1
44	Hexagon nipple		3000969347	1
45	Screw	M 10x50	3000071501	1
46	Lock nut	L-K M6M 10	3000438120	1
47	Nut	M16x1,5	3000084324	1
48	Coupling		3002017005	2
49	Screw	M6x16	3000071368	4