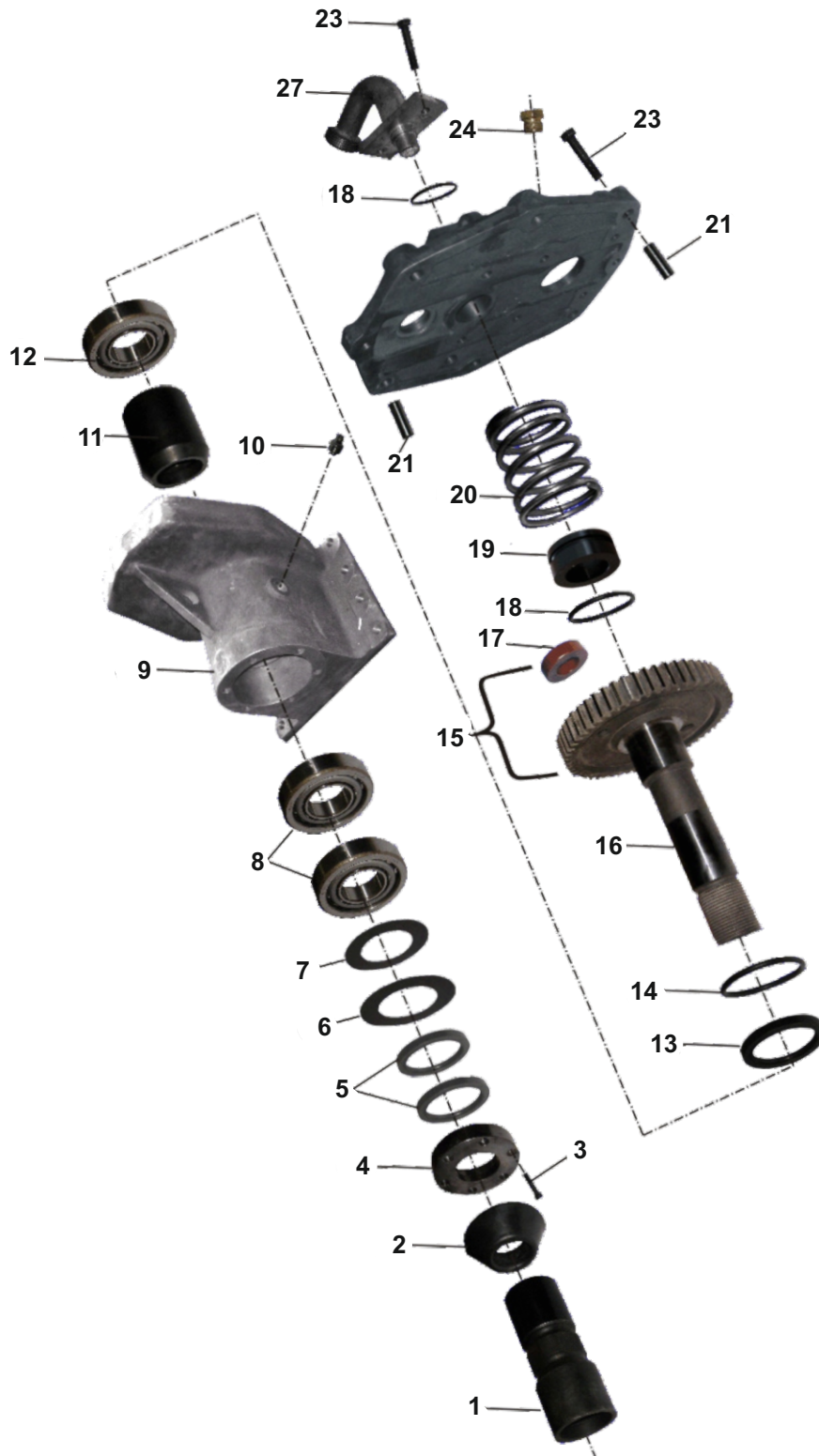


7. Gear Housing Complete



7. Gear Housing Complete

No.	Description	Modified	Ref. Part No.	QTY
–	Gear Housing Complete (1-27)			1
1	– Adapter		3161089300	1
2	– Seal Ring		3161085200	1
3	– Screw		0211136700	6
4	– Clamp Ring		3161061900	1
5	– Seal Ring		3161075300	2
6	– Gasket		3161062200	1
7	– Gasket		3161062100	1
8	– Ball Bearing		0504060200	2
9	– Gear Housing		3161062600	1
10	– Grease Nipple		0544216200	1
11	– Spacer Sleeve		3161062700	1
12	– Ball Bearing		0502211200	1
13	– Spacer Ring		3161063000	1
14	– O-Ring		0663919400	1
15	– Spring Complete		3161062880	1
16	-- Spindle			1
17	-- Bushing		3161075500	1
18	– O-Ring		0663313100	2
19	– Seal Ring		3161063400	1
20	– Spring		3161063500	1
21	– Parallel Pin		0102041000	2
22	– Cover		3161063100	1
	-- Insert		—	6
23	– Screw		0147140700	8
24	– Plug		0686610300	1
27	– Air Inlet Tube		3161063600	1

Note : Reference Part Number Starting With 'M' - Is Modified.