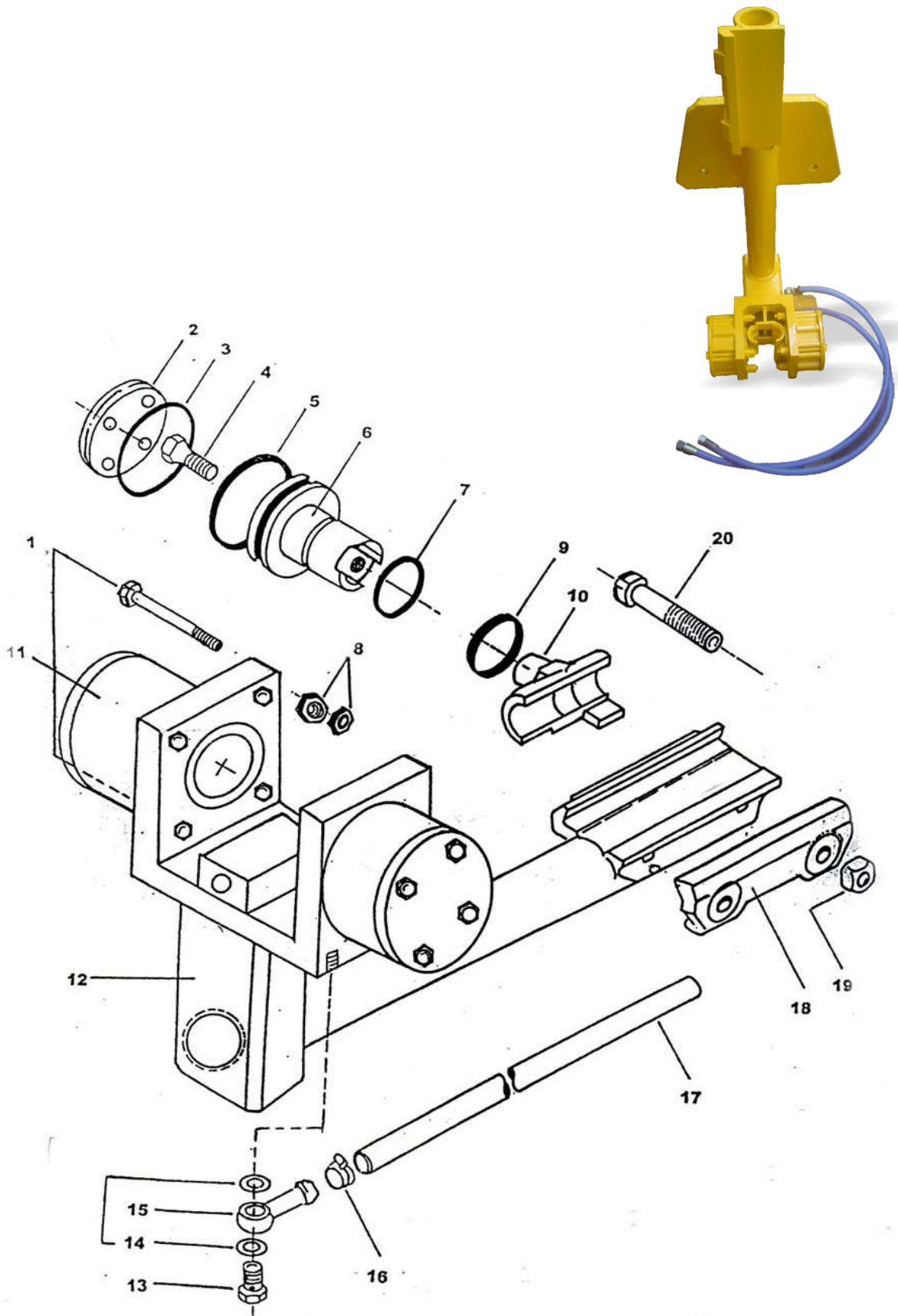


2.Pneumatic Rod Catcher MBSP-10



2. Pneumatic Rod Catcher MBSP-10

No.	Description	Modified		Ref. Part No.	QTY
	Pneumatic Rod Catcher MBSP - 10			MBSP10	
1	– Bolt			M9062	8
2	– Cover			M9063	2
3	– O Ring	0663614800	*	M9064	2
4	– Screw			3142026400	2
5	– O Ring			0663214900	2
6	– Piston			M9067	2
7	– O Ring	0663613500	*	M9068	2
8	– Nut			M9069	16
9	– Seal Ring	0665919300	*	M9070	2
10	– Drill Steel Support Hal, 32 mm (1 1/4") Round	3142026200	*	M9071	2
11	– Cylinder			M9072	2
–	Cylinder & Piston Complete Assembly			M9072 & 67	2
12	– Drill Steel Support			M9073	1
13	– Pressure Screw	0627511300	*	M9074	2
14	– Packing	0653107000	*	M9075	4
15	– Banjo Connection	9000029400	*	M9076	2
16	– Hose Clamp	0347610400	*	M9077	2
17	– Air Hose	9030020000	*	M9078	2
18	– Clamping Rail	3142015700	*	M9079	1
19	– Nut Square	3000098802	*	M9080	2
20	– Bolt Square Head	3142015300	*	M9081	2
–	Bushing For BSP-10			3142026100	
–	Piston For BSP-10			3142026300	
–	Lock Ring For BSP-10			0335217700	
–	Cover For BSP-10			3142026500	

Note : ① Reference Part Number Starting With 'M' - Is Modified

② Item 6 & 11 Supply in Assembly