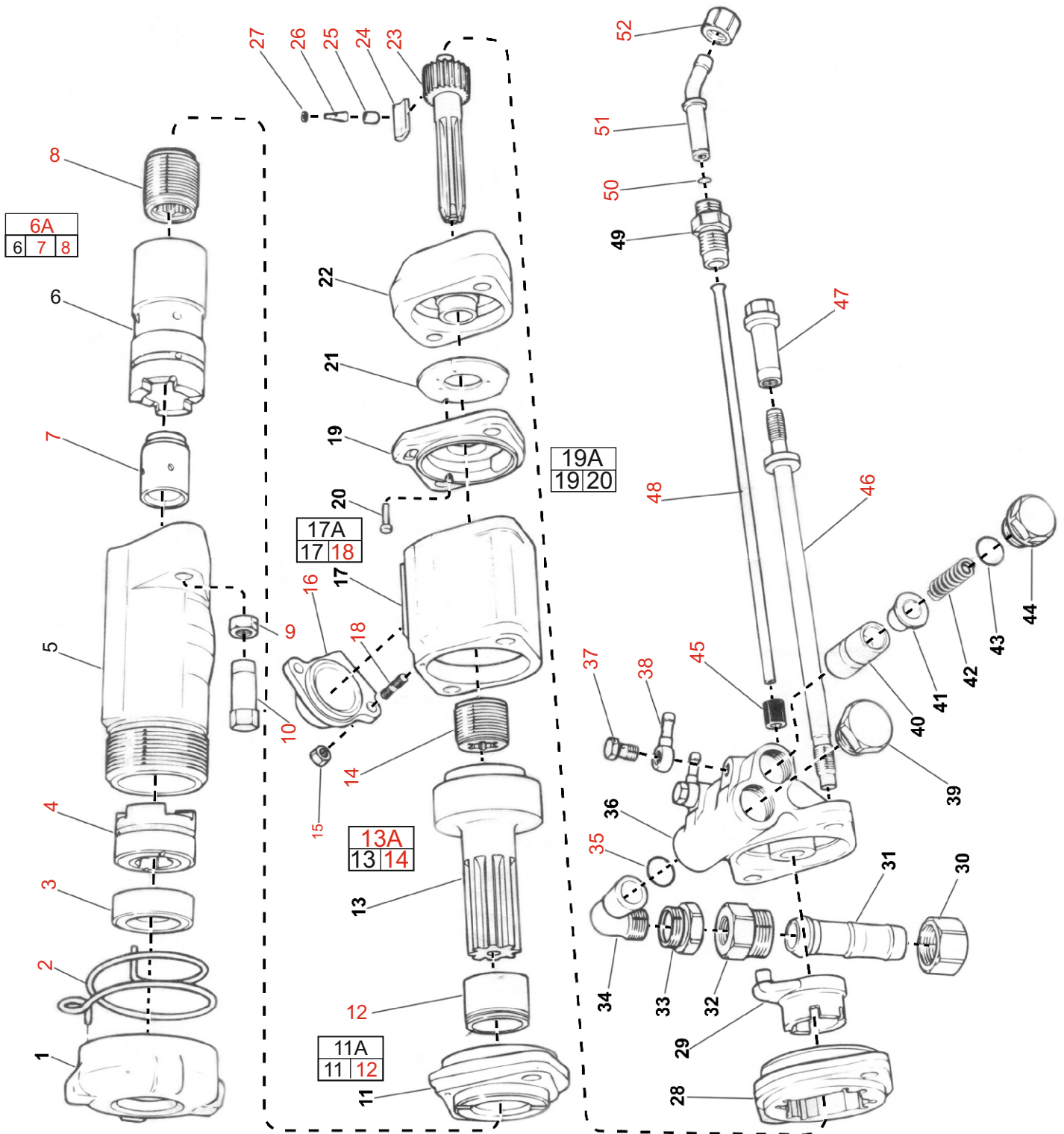


Replacement Parts For Atlas Copco Drifter
Model - BBC 120F / BBC 120FZ

1. Replacement Parts For Atlas Copco Drifter Model - BBC 120F

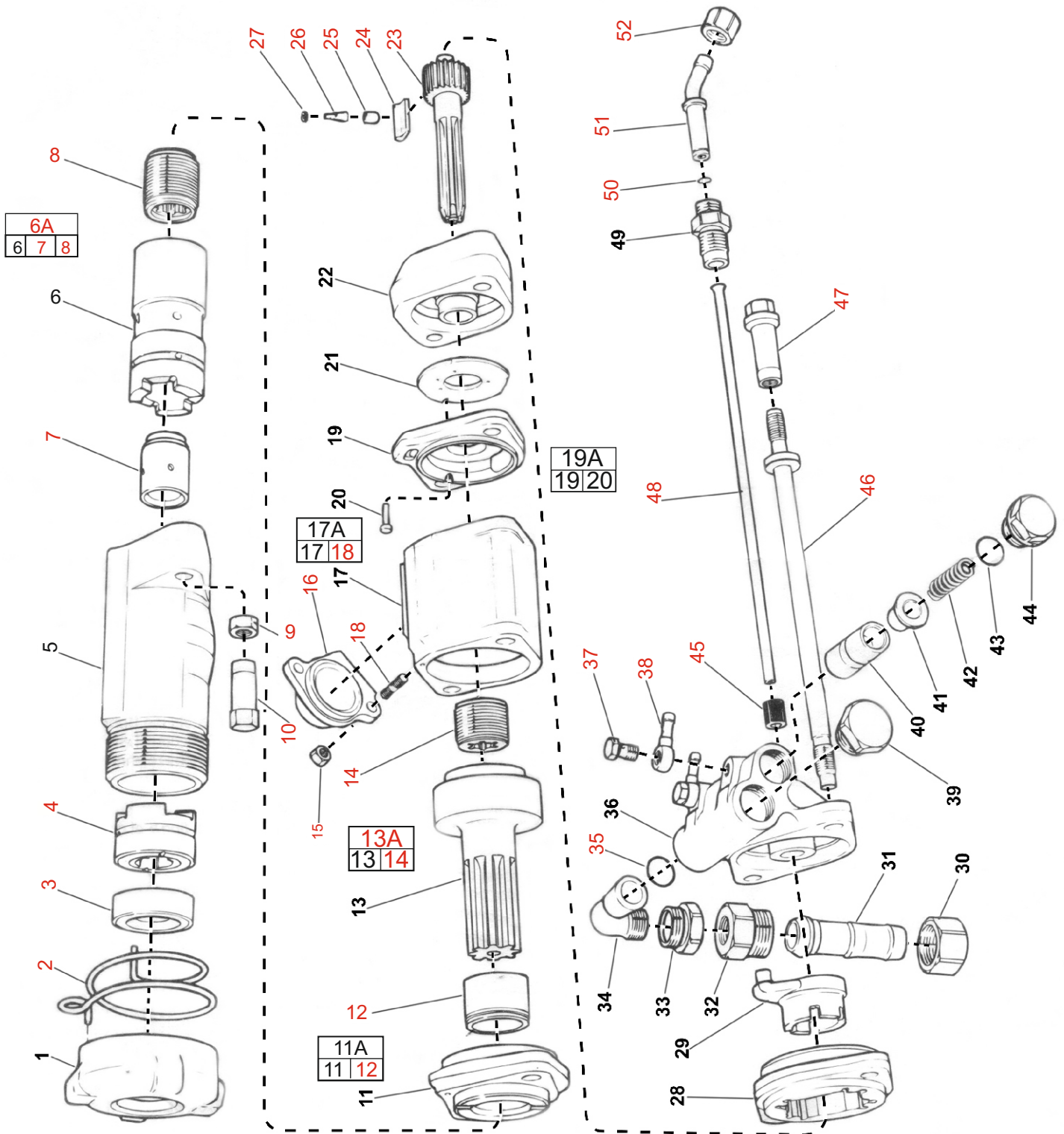


Note : Part number display in Red Colour are fast wearing parts and are recommended for stocking.

1. Replacement Parts For Atlas Copco Drifter Model - BBC 120F

No.	Description	Ref. Part No.	QTY
1	Cover	3161023000	1
2	Lock Spring	3161099300	1
3	Stop Ring	3161021500	1
4	Rotation Chuck	3161021600	1
5	Front Head	3161023100	1
6A(6-8)	Rotation Chuck Complete	3161032880	1
6	– Rotation Chuck		1
7	– Rotation Chuck Bushing	3161021800	1
8	– Guide Nut	3161032900	1
9	Nut	3141007200	2
10	Nut	3141007100	2
–	Nut (0072 & 0071)		2
–	Intermediate part, compl	3161081980	1
11A(11-12)	– Intermediate part,		1
12	– Bushing	3161023500	1
13A(13-14)	Piston with rifle nut, compl	3161030780	1
13	– Piston		1
14	– Rifle nut	3161030800	1
15	Nut	0291111400	2
16	Exhaust guard	3115012200	1
17A(17-18)	Cylinder, compl	3161052480	1
17	– Cylinder		1
18	– Stud	0196148100	2
19A(19-20)	Cover with guide pin, compl	3141008780	1
19	– Cover		1
20	– Guide pin	3141008800	1
21	Main Valve	3161033300	1
22	Rifle bar bearing	3141009000	1
23	Rifle bar	3161036900	1
24	Pawl	3161037000	8
25	Pawl pin	3141008300	8
26	Pawl spring	3115077400	8
27	Damper	3161052500	8
28	Ratchet box	3161037700	1
29	Pawl lifting ring	3161037800	1
30	Coupling nut	9000033500	1
31	Hose Nipple	9000017700	1
32	Adapter	9000048500	1
33	Adapter	3000992200	1
34	Inlet nipple	3161007000	1
35	O-Ring	0663213200	2
36	Back head	3141009300	1
37	Pressure screw	3161082000	2
38	Banjo connection	3161022900	2
39	Plug	3161006900	1
40	Operating piston	3141009500	1
41	Spring guide	3141009600	2
42	Pressure spring	3141009700	2
43	O-Ring	0663213200	2
44	Plug	3141009800	2
45	Gasket	3121047700	1
46	Side bolt	3141007000	2
47	Nut	3141022400	2
48	Water flushing tube	3161037600	1
49	Adapter	3161082100	1
50	O-Ring	0663212400	1
51	Hose Nipple	3161082200	1
52	Coupling nut	3161082300	1

1. Replacement Parts For Atlas Copco Drifter Model - BBC 120F



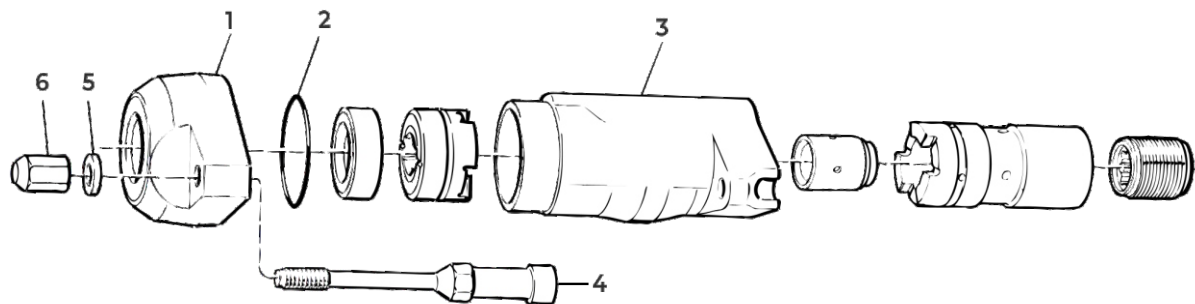
Note : Part number display in Red Colour are fast wearing parts and are recommended for stocking.

1. Replacement Parts For Atlas Copco Drifter Model - BBC 120F

2. Optional

No.	Description	Ref. Part No.	QTY
Parts For Sealed Chuck 32 mm (1 1/4") Leyner Shank			
3	Stop Ring	3161038300	1
4	Rotation Chuck	3161038200	1
–	Rotation Chuck Complete	3161032881	1
6	– Rotation Chuck		1
7	– Rotation Chuck bushing	3161022600	1
8	– Guide Nut	3161032900	1
Only For Air Flushing			
–	Air Flushing Tube	3161046600	1
Parts To Adjustable Exhaust Connection For 64 mm (2 1/2") Hose, Especially For "Simba"			
–	Rubber Ring	3161074200	1
–	Nipple	3161040800	1
–	Lock Ring	3161074100	1
Parts For Protecting When Drilling Upwards			
–	Rubber hood	3141022600	1

Replacement Parts For Atlas Copco Drifter Model - BBC 120FZ



No.	Description	Ref. Part No.	QTY
1	Cover	3115223900	1
2	O-Ring	0663614500	1
3	Front Head	3115229100	1
4	Side Bolt	3115224000	2
5	Washer	3115028700	2
6	Dome Nut	3115028600	2



Vikay Mining Equipments

Vile Parle (West), Mumbai - 400 056. INDIA

Tel. : +91 - 22 - 2623 7205 / 2624 3729  +91 9820 079729

Email : vkmining@gmail.com Website : www.vikayonline.com

