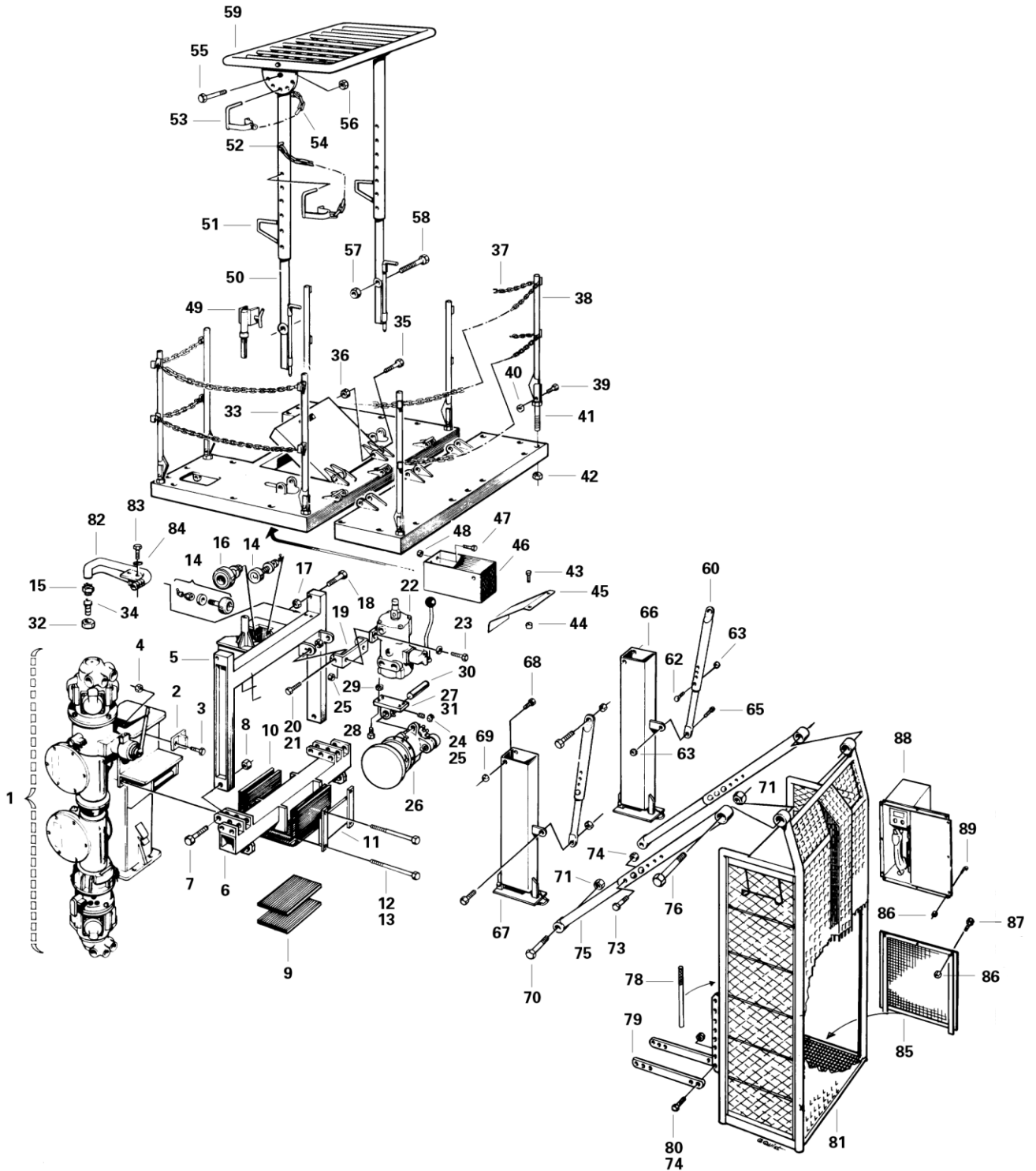


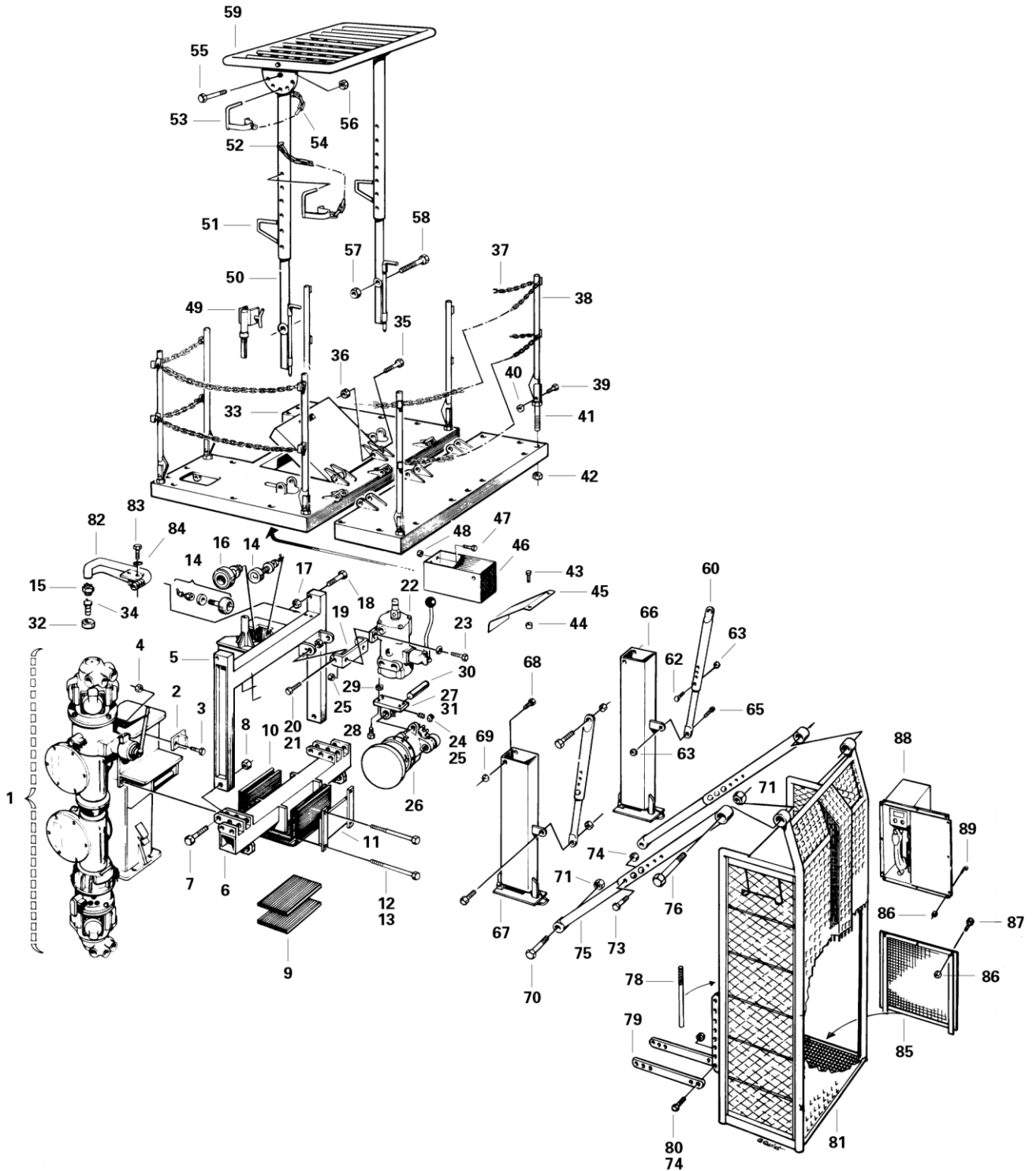
1. Drive Unit



1. Drive Unit

No.	Description	Designation	Ref. Part No.	QTY
-	Work Platform With Cages & Safety Equipments		VK RRWP	1
1	Drive unit		0178694000	1
2	Stop cleat		0471155000	1
3	Screw	M6S 16x45-8.8-fz	3000071629	2
4	Lock nut	L-K M6M-16-8.-fz	3000438124	2
5	Frame		0271156000	1
6	Supporting beam		0371152000	1
7	Screw	M6S 24x150-8.8-fz	3000071736	2
8	Lock nut	L-K M6M24-8.-fz	3000438128	2
9	Rubber sheet		0471150000	2
10	Rubber sheet		0471149000	2
11	Anchoring plate		9001011000	1
12	Screw	M6S 20x200-8.8-fz	3000071697	4
13	Lock nut	L-K M6M20-8.-fz	3000438126	4
14	Guide roller Ø 72	438665	9018650000	4
15	Hexagon nipple		3000969347	1
16	Guide roller	Ø 124	0471138000	2
	Screw	MC6S 20x70-8.8-fz	3000669678	2
	Lock nut	L-K M6M20-8.-fz	3000438126	2
17	Lock nut	L-K M6M24-8.-fz	3000438128	2
18	Screw	M6S 24x140-8.8-fz	3000071735	2
19	Bracket		0373685000	1
20	Screw	M6S 12x50-8.8.-fz	3000071542	2
21	Lock nut	L-K M6M 12-8.-fz	3000438122	4
22	Control valve		0145097000	1
23	Screw	M6S 12x50-8.8-fz	3000071542	2
24	Stop screw	T6SS 8x25	3000150453	1
25	Nut	M6M 8-8.-fz	3000081118	1
26	Safety device		0184338000	1
27	Bracket		9064710000	1
28	Screw	M6S 16x50-8.8-fz	3000071630	4
29	Lock nut	L-K M6M 16-8.-fz	3000438124	4
30	Shaft		0484360000	1
31	Grease nipple		3000221026	1
32	Nut		3000970335	1
33	Platform			1
34	Nipple		3000969177	1
35	Screw	M6S 20x110-8.8-fz	3000071686	2
36	Lock nut	L-K M6M 20-8.-fz	3000438126	2
37	Chain		0444814000	2
38-42	Rail post		0373481000	9
43	Screw	M6S 12x35-8.8-fz	3000071538	2
44	Lock nut	L- K M6M 12-8.-fz	3000438122	2
45	Protective plate		0374503000	1
46	Tool box		0274736000	1
47	Screw	M6S 10x30-8.8-fz	3000071495	3
48	Lock nut	L-K M6M12-8.-fz	3000438122	3
49	Mounting pin		0381399000	1
50-58	Compl. support leg		0374295000	2
50	Support leg		0374293000	2
51	Support leg, upper		0374292000	2
52	Chain		3000308040	*
53	Cotter		0474294000	4
54	Chain		3000308040	*
55	Screw	M6S 20x120-8.8-fz	3000071688	2
56	Lock nut	L-K M6M 20-8.-fz	3000438126	2
57	Lock nut	L-K M6M 20-8.-fz	3000438126	2
58	Screw	M6S 20x120-8.8-fz	3000071688	2
59	Safety roof		0274291000	1

1. Drive Unit



1. Drive Unit

No.	Description	Designation	Ref. Part No.	QTY
60-65	Telescopic tube		0474863000	2
66	Drill holder		0374864000	1
67	Drill holder		0374859000	1
68	Screw	M6S 12x35-8.8-fz	3000071538	4
69	Lock nut	L-K M6M12-8.-fz	3000438122	4
70	Screw	M6S 24x140-8.8-fz	3000071735	2
71	Lock nut	L-K M6M 24-8.-fz	3000438128	4
72				
73	Screw	M6S 16x90-8.8.-fz	3000071638	6
74	Lock Nut	L-K M6M 16-8.-fz	3000438124	10
75	Compl. Support Leg.	975-1825 mm	0473895000	2
	Compl. Support Leg.	1655-2555 mm	0474256000	2
76	Screw	M6S 24x260-8.8-fz	3000071744	2
77				
78	Hand Lever		0417396000	1
79	Bracket		0487703000	4
80	Screw	M6S 16x50-8.8.-fz	3000071630	4
81	Cage		0273695000	1
82	Hose Guide		0373683000	1
83	Screw	M6S 16x30-8.8.-fz	3000071624	2
84	Washer	BRB 17x30-fz	3000091186	2
85	Door Plate		0486973000	1
86	Lock Nut	L-K M6M 8-8.-fz	3000438118	9
87	Screw	M6S 8x25-8.8-fz	3000071453	3
88	Box W. Telephone	See circuit diagram		1
89	Hook		9001068000	6

* Ange längden i meter / State length in meters / Die Länge in Meter angeben