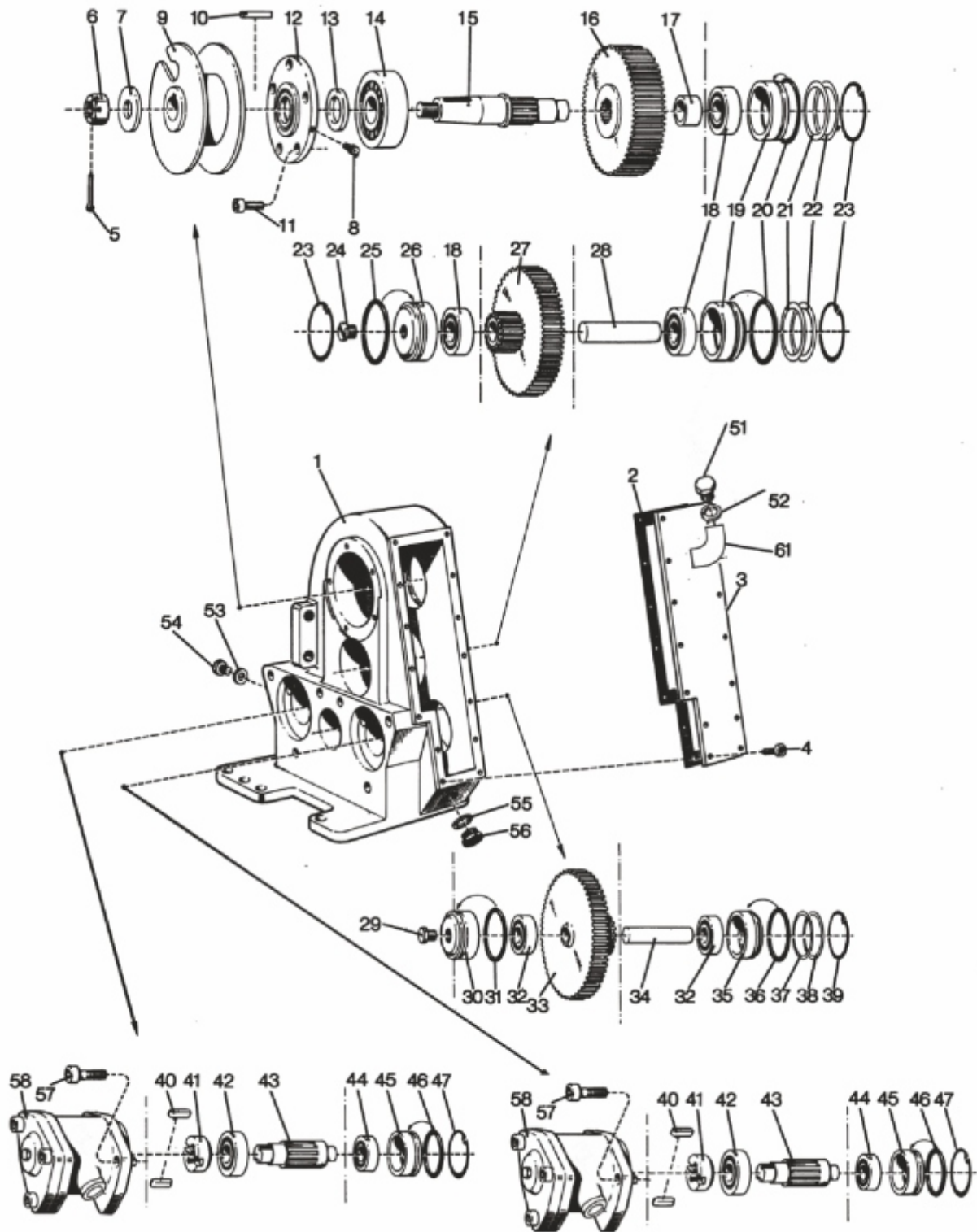


5. Bucket Operating Gear



5. Bucket Operating Gear

No.	Description	Modified		Ref. Part No.	QTY
-	Gear Box Complete			5112055281	1
1	- Gear Box body			-	1
2	- RTV Silicon Gasket Maker			-	-
3	- Cover			5112010200	1
4	- Screw			5112011200	15
5	- Split Pin			0111145500	1
6	- Castle Nut	0281137200	*	M10053	1
7	- Washer	5112016700	*	M10052	1
8	- Grease Nipple			-	2
9	- Chain Drum			-	1
10	- Key			0337835000	1
11	- Screw			5096998100	5
12	- Cover			5112010500	1
13	- Seal Ring			0666458900	1
14	- Bearing			0508243500	1
15	- Shaft			5112010400	1
16	- Gear			5096150300	1
17	- Spacer			5096723200	1
18	- Bearing			0508230900	3
19	- Cap			5103043500	0
20	- O Ring			0663614900	2
21	- Shim 1.0 MM			5096350600	1
22	- Shim 0.2 MM			5096350700	1
23	- Circlip			0335217800	3
24	- Plug			0686810600	1
25	- O Ring			0663614900	1
26	- Retaining Cap			5103043600	1
27	- Gear			5103056100	1
28	- Shaft			5096148900	1
29	- Plug			0686370600	1
30	- Retaining Cap			5103043700	1
31	- O Ring			0663614300	1
32	- Bearing			0508141200	2
33	- Gear			5096150400	1
34	- Shaft			5104017100	1
35	- Cap			5103043800	1
36	- O Ring			0663614300	1
37	- Shim 0.1 MM			5096350400	1
38	- Shim 0.2 MM			5096350500	1
39	- Circlip			0335217000	1
40	- Key			5096102000	4
41	- Coupling Half (Female)			5096146900	2
42	- Bearing			0502410600	2
43	- Shaft With pinion			5069149100	2
44	- Bearing			0508230500	2
45	- Cap			5103043900	3
46	- O Ring			0663614100	2
47	- Circlip			0335216500	2
48	- Screw			0211548700	3
51	- Plug			0686370800	1
52	- Gasket			0657583400	1
53	- Gasket			0657576400	1
54	- Plug			0686370200	1
55	- Gasket			0657582300	1
56	- Plug			0686370600	1
57	- Screw	0211549100	*	M10255	3
58	- Bucket Operating Motor (See Page No. 15)			5021016080	2
61	- Elbow			-	1

Note : ① Reference Part Number Starting With 'M' - Is Modified