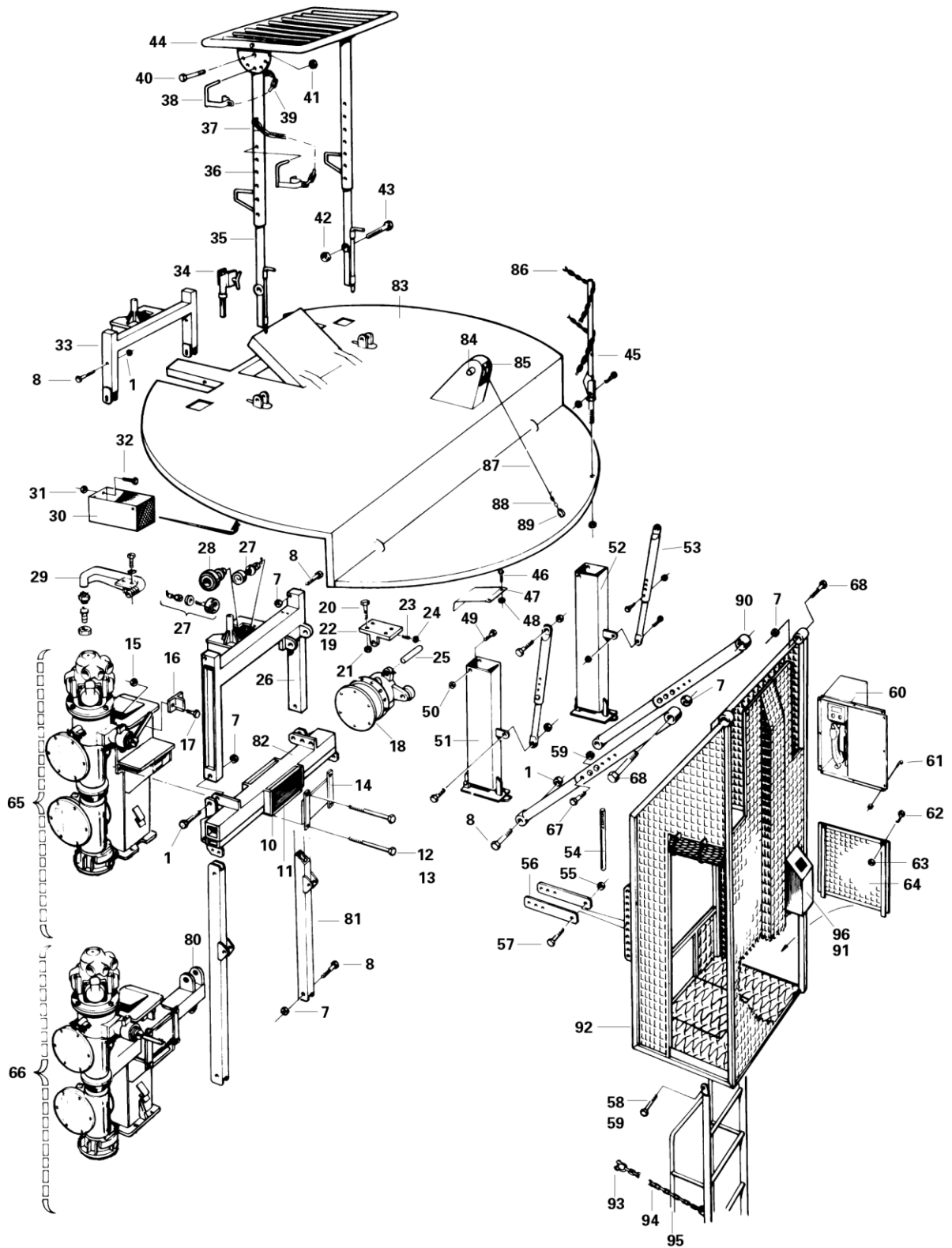


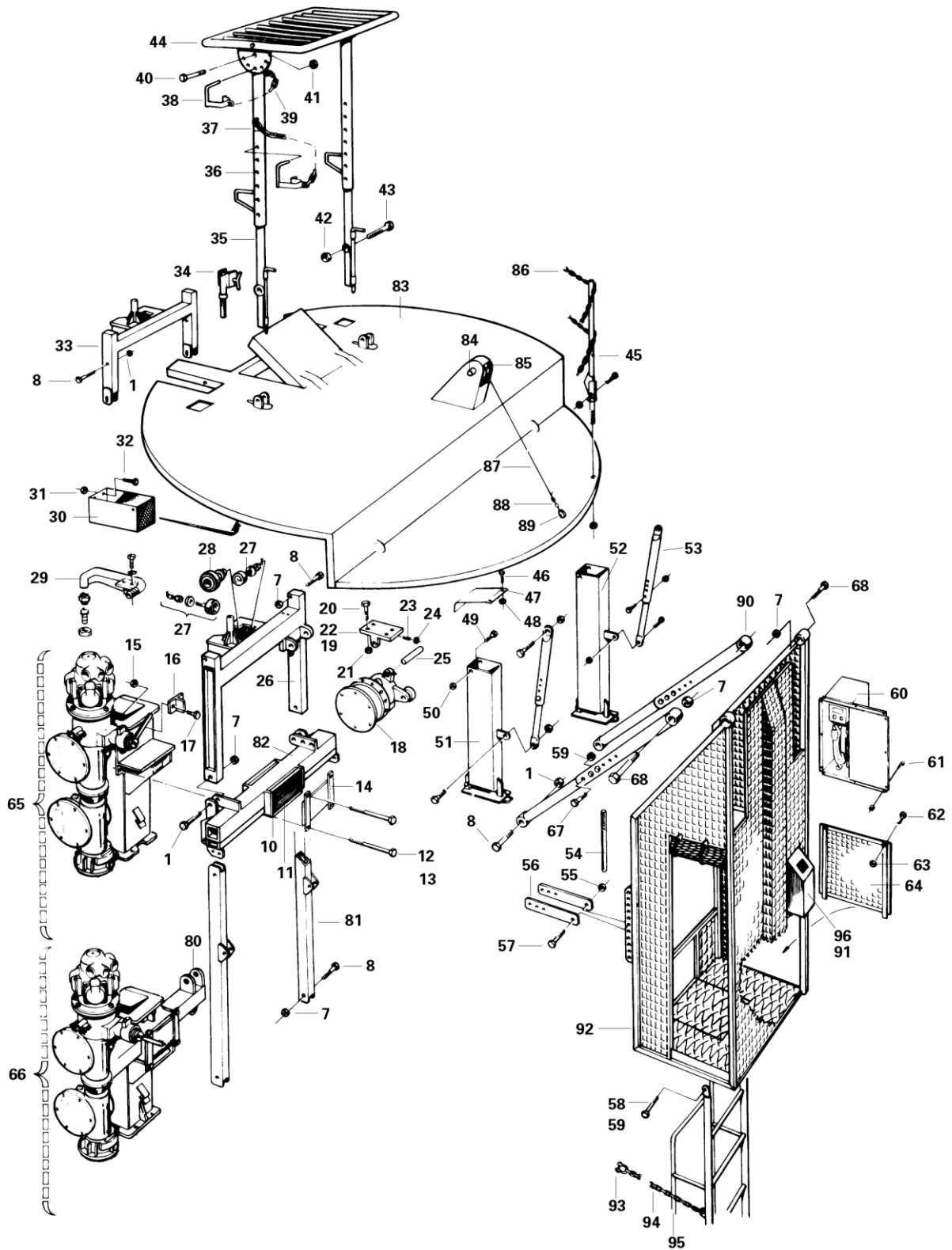
2. Cage



2. Cage

No.	Description	Designation	Ref. Part No.	QTY
–	Work Platform With Cages & Safety Equipments*		VK RRWP*	1
1	Screw	M6S 24x150-8.8-fz	3000071736	2
2				
3				
4				
5				
6				
7	Nut	L-K M6M 24-8.-fz	3000438128	16
8	Screw	M6S 24x140-8.8-fz	3000071735	10
9				
10	Rubber sheet		0471149000	4
11	Rubber sheet		0471150000	4
12	Screw	M6S 20x200-8.8-fz	3000071697	8
13	Nut	L-K M6M 20-8.fz	3000438126	8
14	Anchoring plate		9001011000	2
15	Lock nut	L-K M6M 16-8. fz	3000438124	4
16	Stop cleat		0471155000	2
17	Screw	M6S 16x45-8.8-fz	3000071629	4
18	Safety device		0184338000	1
19	Grease nipple		3000221026	1
20	Screw	M6S 16x50-8.8-fz	3000071630	4
21	Lock nut	L-K M6M 16-8.- fz	3000438124	4
22	Anchoring plate		9064710000	1
23	Stop screw	T6SS 8x25	3000150453	1
24	Nut	M6M 8-8.-fz	3000081118	1
25	Shaft		0484360000	1
26	Frame		0271156000	1
27	Guide roller	438665	9018650000	8
28	Guide roller		0471138000	4
	Screw	MC6S 20x70-8.8.-fz	3000669678	4
	Lock nut	L-K M6M20-8.-fz	3000438126	4
29	Hose guide		0373683000	1
	Hexagon nipple		3000969347	1
	Hose nipple		3000969177	1
	Nut		3000970335	1
	Screw	M6S 16x30-8.8-fz	3000071624	2
	Washer	BRB 17x30-fz	3000091186	2
30	Tool box		0274736000	1
31	Lock nut	L-K M6M 10-8.-fz	3000438120	3
32	Screw	M6S 10x30-8.8-fz	3000071495	3
33	Extra roller assy		0377128000	1
34	Mounting pin		0381399000	1
35-43	Compl. support leg		0374295000	2
35	Support leg		0374293000	2
36	Support leg, upper part		0374292000	2
37	Chain		3000308040	****2
38	Cotter		0474294000	4
39	Chain		3000308040	****2
40	Screw	M6S 20x120-8.8-fz	3000071688	2
41	Lock nut	L-K M6M 20-8.-fz	3000438126	2
42	Lock nut	L-K M6M 20-8.-fz	3000438126	2
43	Screw	M6S 20x120-8.8-fz	3000071688	2
44	Safety roof		0274291000	1
45	Rail post		0373481000	
46	Screw	M6S 12x35-8.8-fz	3000071538	2
47	Cover		0374503000	1
48	Lock nut	L-K M6M 12-8.-fz	3000438122	2
49	Screw	M6S 12x35-8.8-fz	3000071538	4

2. Cage



2. Cage

No.	Description	Designation	Ref. Part No.	QTY
50	Lock nut	L-K M6M 12-8-fz	3000438122	4
51	Drill holder		0374859000	1
52	Drill holder		0374864000	1
53	Telescopic pipe		0474863000	2
54	Hand lever		0417396000	2
55	Nut	L-K M6M 16-8.-fz	3000438124	4
56	Bracket		0487703000	4
57	Screw	M6S 16x50-8.8-fz	3000071630	4
58	Screw	M6S 20x50-8.8-fz	3000071674	2
59	Nut	L-K M6M 20-8.-fz	3000438126	8
60	Box w. telephone	See circuit diagram		1
61	Hook		9001068000	6
62	Screw	M6S 8x25-8.8-fz	3000071453	3
63	Nut	L-K M6M 8-8.-fz	3000438118	9
64	Door plate		0486973000	1
65	Machinery, upper		0145271000	1
66	Machinery, lower	Exkl. pos 80	0145271000	1
67	Screw	M6S 20x130-8.8-fz	3000071690	6
68	Screw	M6S 24x180-8.8-fz	3000071739	4
80	Supporting beam. lower		0381556000	1
81	Connection beam		0481557000	2
82	Supporting beam, upper		0381555000	1
83	Plate form			
84	Shaft		0476712000	1
85	Pulley wheel		0313289000	1
86	Chain		0444814000	4
87	Steel wire		3001114110	****1
88	Cable joint		3000211204	2
89	Cable shoe		3000305611	1
90	Support leg		*	2
91	Winch		3001152101	1
92	Cage excl. winsch		0182621101	1
93	Linkchain		3000860105	4
94	Chain		3000308080	****2
95	Ladder		*	1
96	Cover		0284055000	1

Stödben	*	Stege	*
Support leg	Pos./Item	Ladder	Pos./Item
Stützbein	90	Leiter	95
2350 – 3450 mm	0482630000	1500 mm	0391649150
2500 – 3800 mm	0444339000	1800 mm	0391649180
		2100 mm	0391649210

**** Ange längden i meter / State length in meters / Die Länge in Meter angeben

OBS: Manöverventil med fäste, se STH-5L

NOTE: Control valve with bracket, see STH-5L

ACHTUNG: Bedienungsventil mit Befestigung, sehen Sie STH-5L