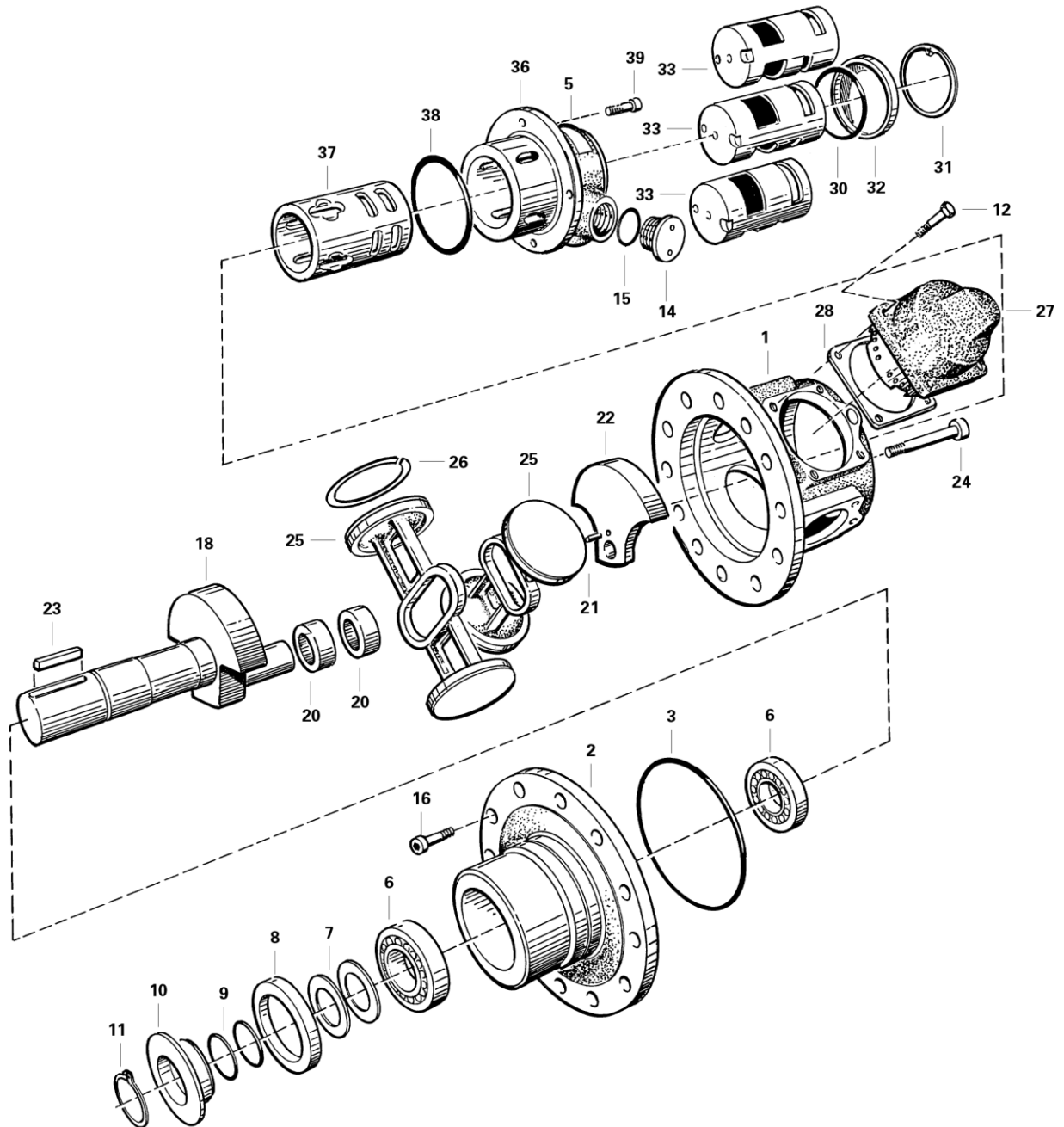


12. Compl. Air Motor



12. Compl. Air Motor

No.	Description	Designation	Ref. Part No.	QTY
1-40	Air motor (K14-H)		9013834102	1
1-40	Air motor (K14-V)		9013834101	1
1-40	Air motor (K14-S)		9013834103	1
1	Crank case		9001030000	1
2	Bearing housing		0213754000	1
3	O-ring		3000136441	1
4				
5	Sign		0415503000	1
6	Ball bearing		3000115207	2
7	Shims set		0413835000	1
8	Sealing ring		3001406203	1
9	O-ring		3000136410	2
10	Spacer		0413836000	1
11	Circlip	SgA 35	3000132133	1
12	Screw	M6S 10x20-8.8-fz	3000071491	16
13				
14	Plug		0413688000	2
15	O-ring		3000136408	2
16	Screw	MC6S 6x16 -8.8-fz	3000147368	8
17				
18	Crank shaft		9001033000	1
19				
20	Crank bearing (Modified)		0419764000	2
21	Tension pin	FRP 4x8	3000134250	1
22	Counterweight	313839	9001039000	1
23	Key		3000742370	1
24	Screw		9001037000	1
25	Piston	313844	9013773000	2
26	Piston ring		0415348000	4
27	Cylinder		0313756000	4
28	Gasket		0413845000	4
29				
30-38	Compl. slide housing		*	1
30	O-ring		3000136426	1
31	Circlip	SgH 72	3000133153	1
32	Slide bush		0413846000	1
33	Slide		*	1
34				
35				
36-37	Slide housing w. bushing		9018693000	1
36	Slide housing			
37	Slide bushing			1
38	O-ring		3000136429	1
39	Screw	MC6S 10x20-8.8-fz	3000147491	4
40				

Rotationsriktning Rotating direction Rotationsrichtung	**Beteckning Designation Bezeichnung	* Pos./Item 33	* Pos./Item 30 – 38	Pos./Item 1 – 40
Höger/Right/Rechts	K 14-H	9005808000	9016539102	9013834102
Vänster/Left/Links	K 14-V	9005807000	9016539101	9013834101
Båda/Both/Beide	K 14-S	9005809000	9016539103	9013834103

**** Se skylt på luftmotor / See sign on the air motor / Siehe Schild am Luftmotor**