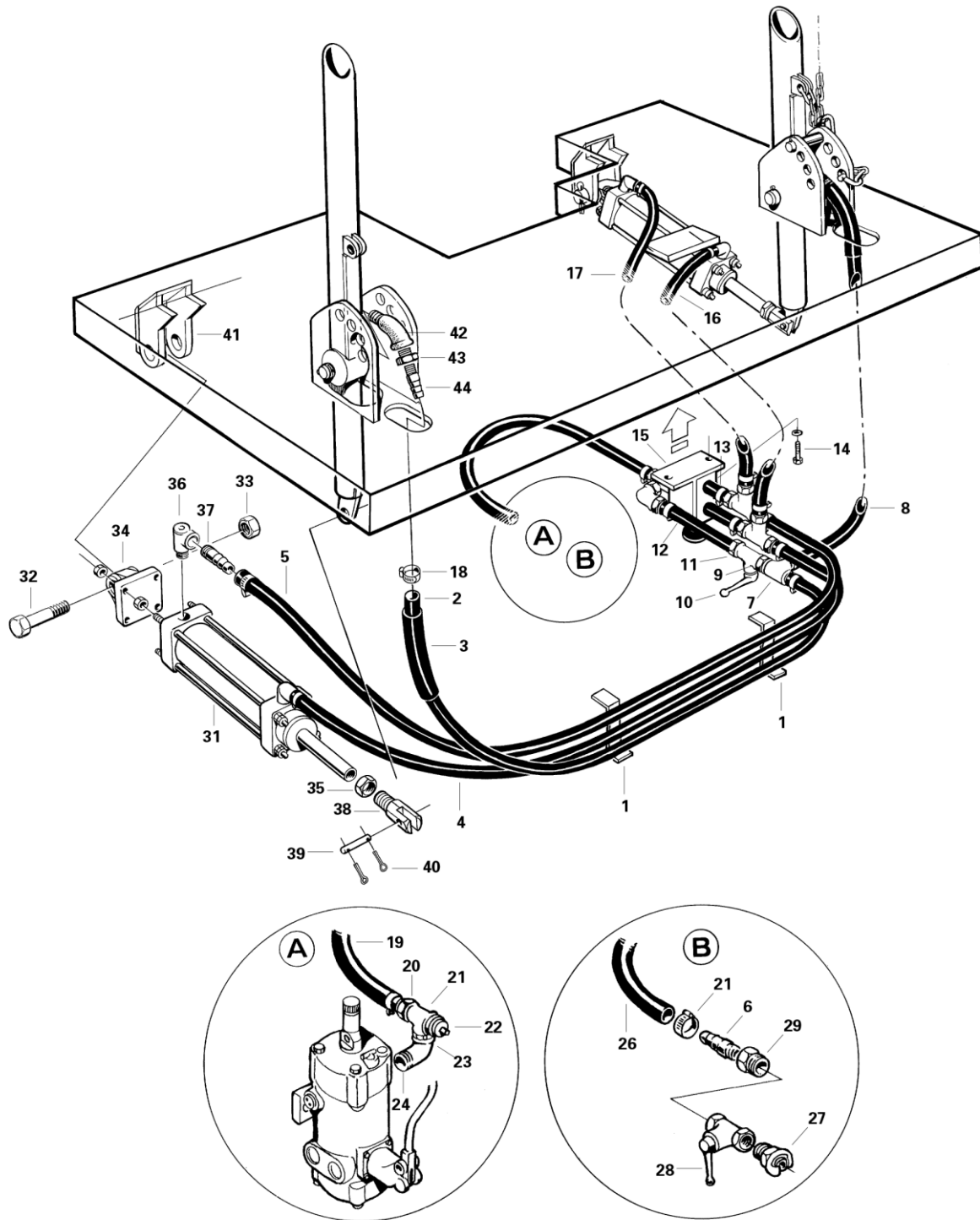


16. Compl. Air System



16. Compl. Air System

No.	Description	Designation	Ref. Part No.	QTY
1 – 29	Compl. air system	STH-5 E/EE & STH-5 D/DD excl. item. 19 – 25	0187077000	1
1 – 25	Compl. air system	STH-5 L/LL excl. item. 26 – 29	0177345000	1
1	Bracket		0477667000	2
2	Air hose		3001150201	1/1400mm
3	Air hose		3001150251	2/ 350mm
4	Air hose		3001150201	1/1750mm
5	Air hose		3001150201	1/2000mm
6	Hose nipple		3000839701	10
7	T-tube		3000839703	3
8	Air hose		3001150201	1/600mm
9	Reducing nipple		3000840205	1
10	Valve		3001027211	1
11	Bushing		3001217109	1
12	Air hose		3001150201	1/165mm
13	Air hose		3001150201	1/110mm
14	Screw	M6S 6x14-8.8-fz	3000071367	2
15	Valve		9066990000	1
16	Air hose		3001150201	1/600mm
17	Air hose		3001150201	1/900mm
18	Hose clamp		3000253024	20
19	Air hose		3001150201	1/1000mm
20	Bushing		3000840312	1
21	T-tube		3000839416	1
22	Pipe plug		3000840516	1
23	Hexagon nipple		3000840116	1
24	Pipe angle		3000839216	1
25				
26	Air hose		3001150201	1/4000mm
27	Claw coupling		3000934101	1
28	Valve		3001027211	1
29	Bushing		3001217109	1
31–40	Compl. cylinder		9009609000	1 + 1
31	Air cylinder		3000965303	2
32	Screw	M6S 20x110-8.8-fz	3000071686	2
33	Lock nut	L-K M6M 20-8.-fz	3000438126	2
34	Cylinder bracket		3000965747	2
35	Nut		3000965756	2
36	Coupling		3000896315	4
37	Hose nipple		2305029102	4
38	End of piston rod		9009610000	2
39	Shaft		0475671000	2
40	Cotter pin	SP 6x40-fz	3000427231	4
41	Bracket		0376408000	2
42	Pipe angle		0475668000	2
43	Bushing		3000840305	2
44	Hose nipple		3000839701	10