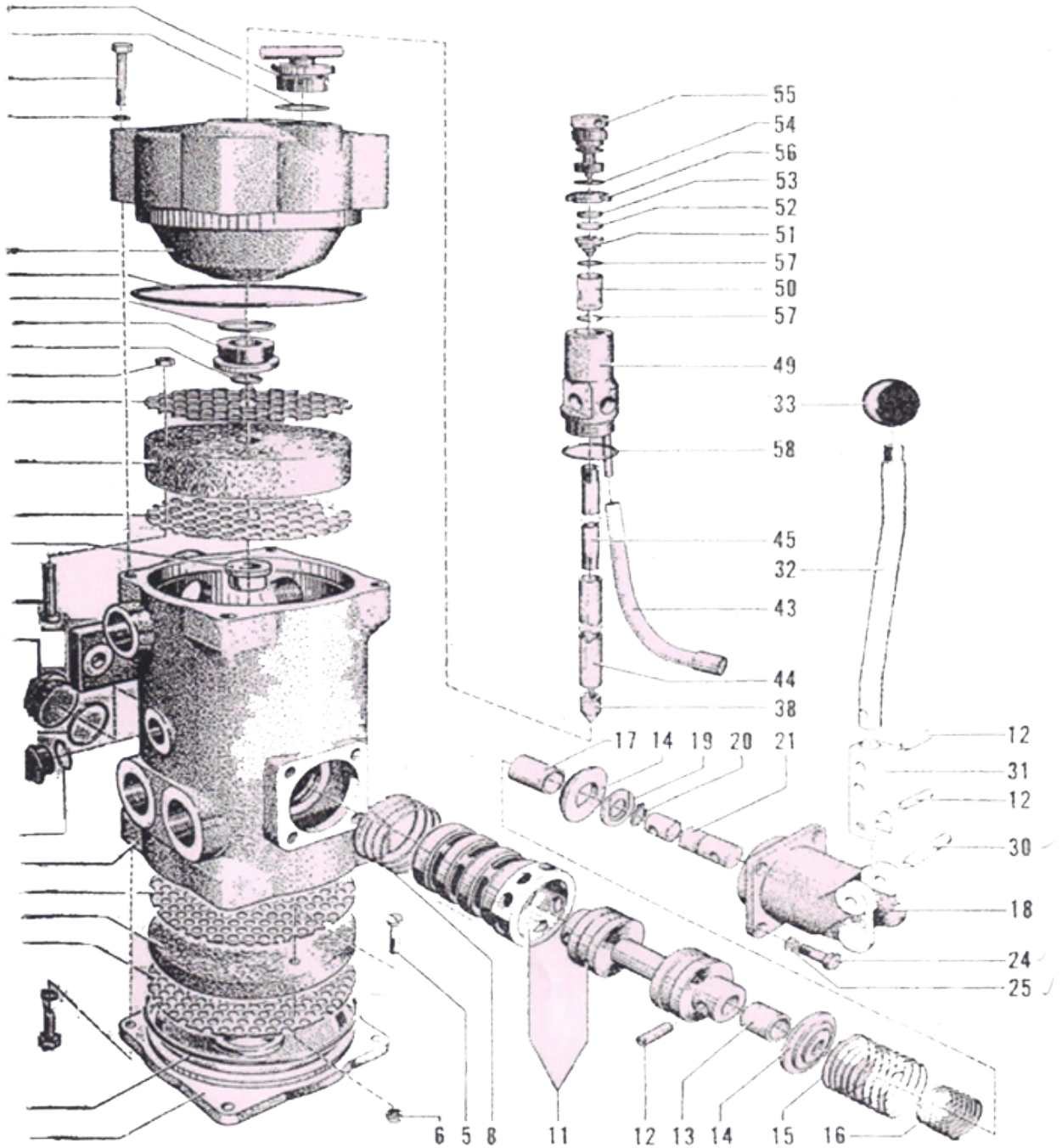


13. Compl. Control Valve - Old Type 176216



13. Compl. Control Valve - Old Type 176216

No.	Description	Designation	Ref. Part No.	QTY
1	Valve housing		113638	1
2	O-ring		134.5 X 3	1
3	Cover		313640	1
4	Filter pad		413675	1
5	Screw		MCS 5 X 30	2
6	Nut		M6M 5	2
7	Filter washer		413676	2
8	O-ring		44.2 X 3	4
9				
10				
11	Slide bushing compl part of 115344		413679	1
11	Slide bushing compl.part of 176216		476401	1
12	Clamping pin		Ø 6 X 24	3
13	Distance tube		413680	1
14	Washer		413681	2
15	Outer spring		413682	1
16	Inner spring		413683	1
17	Distance tube		413684	1
18	Spring housing		313639	1
19	Washer		413685	1
20	Lock ring		SgA-12	1
21	Pull rod		413686	1
22	Plug R 1/2"		413687	1
23	O-ring		17.3 x 2.4	1
24	Screw		U6S 5/16" UNC X 22	4
25	Washer		BRB 8.4 X 16	4
26	Screw		U6S 3/8" UNC X 32	4
27	Washer		BRB 10 X 18	4
28	Plug R 1"		413688	6
29	O-ring		29.2 X 3	6
30	Clamping pin		10 X 45	1
31	Bracket for lever		413689	1
32	Hand lever		313690	1
33	Bakelite ball		Ø 40	1
34	Filter washer		413676	2
35	Filter pad		413691	1
36	Nut		M6M 5	2
37	Screw		MCS 5 X 60	2
38	Cone		413693	1
39	O-ring		29.2 X 3	3
40	O-ring		13.3 X 2.4	2
41	O-ring		134.5 X 3	1
42	Plug		413694	1
43	Suck hose with filter		413695	1
44	Ventilation tube		413696	1
45	Oil tube		413697	1
46	Screw		U6S 3/8" UNC X 82	4
47	Washer		BRB 10 X 18	4
48	Oil container		313641	1
49	Drop housing		413698	1
50	Observation glass		413699	1
51	Drop screw		413700	1
52	Felt washer		413701	1
53	Thrust washer		413702	1
54	O-ring		13.3 X 2.4	1
55	Adjusting screw		413703	1
56	Nut		KM 4	1
57	O-ring		11.3 x 2.4	2
58	O-ring		29.2 x 3	2
59	Plug		413704	1
60	Throttle washer (only for 176216)		476474	1