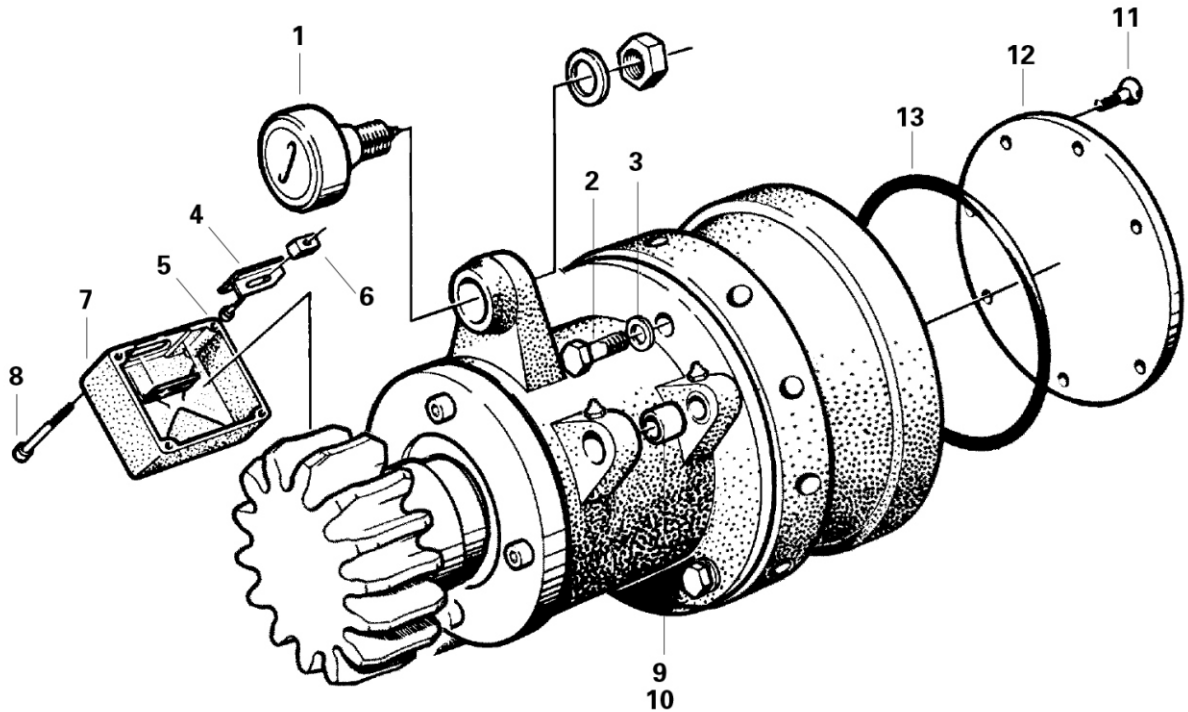


## 10. Compl. Safety Device



No.	Description	Designation	Ref. Part No.	QTY
–	Compl. safety device		0184338000	1
–	Reset lever		0386150000	1
1	Guide roller	Ø 72	9018655000	1
2	Screw	M6S 12x25-8.8-fz	3000071534	4
3	Washer	BRB 13x24 HB200-fz	3000091178	4
4	Pointer		0486146000	1
5	Screw	MC6S M5x25-8.8-fz	3000147333	1
6	Spacer		0486149000	1
7	Cup w.observation glas		9065560000	1
8	Screw	MC6S 6x40-8.8-fzb	3000147378	4
9	Bushing		0445031000	1
10	Bushing		0445031040	1
11	Screw	MC6S 6x16 A4-80	3002022368	4
12	Cover		9064690000	1
13	O-ring		3000136829	1